



Cabinet Buyer's Guide

What you need to know before you buy kitchen cabinets



Table of Contents

- CliqStudios® Cabinet Lines3
- Classic Cabinet Features4
- Signature and Signature Plus Cabinet Features5
- Designing a Beautiful and Functional Kitchen6
- Fully Assembled and Ready-to-Install7
- Quality Materials8
- Strong, Long-Lasting Construction.....9
- Square Cabinet Boxes 10
- Easy-to-Clean Interiors..... 11
- Durable Back Panel12
- Finished, Strong Toekick..... 13
- Drawer Box Construction..... 14
- Smooth, Soft-Close Drawer Guides 15
- Certifications..... 16
- Warranty.....17

CliqStudios Cabinet Lines



Classic

Our most affordable line

- Basic styles and colors
- Basic configuration
- Furniture board construction



Signature

Our most popular line

- Best selling styles and colors
- Modifications to fit your needs
- Hardwood door frames
- All plywood construction



Signature Plus

Our most flexible line

- Increased door selection
- Designer colors
- Customization to make it your own
- Inset doors
- Hardwood door frames
- All plywood construction

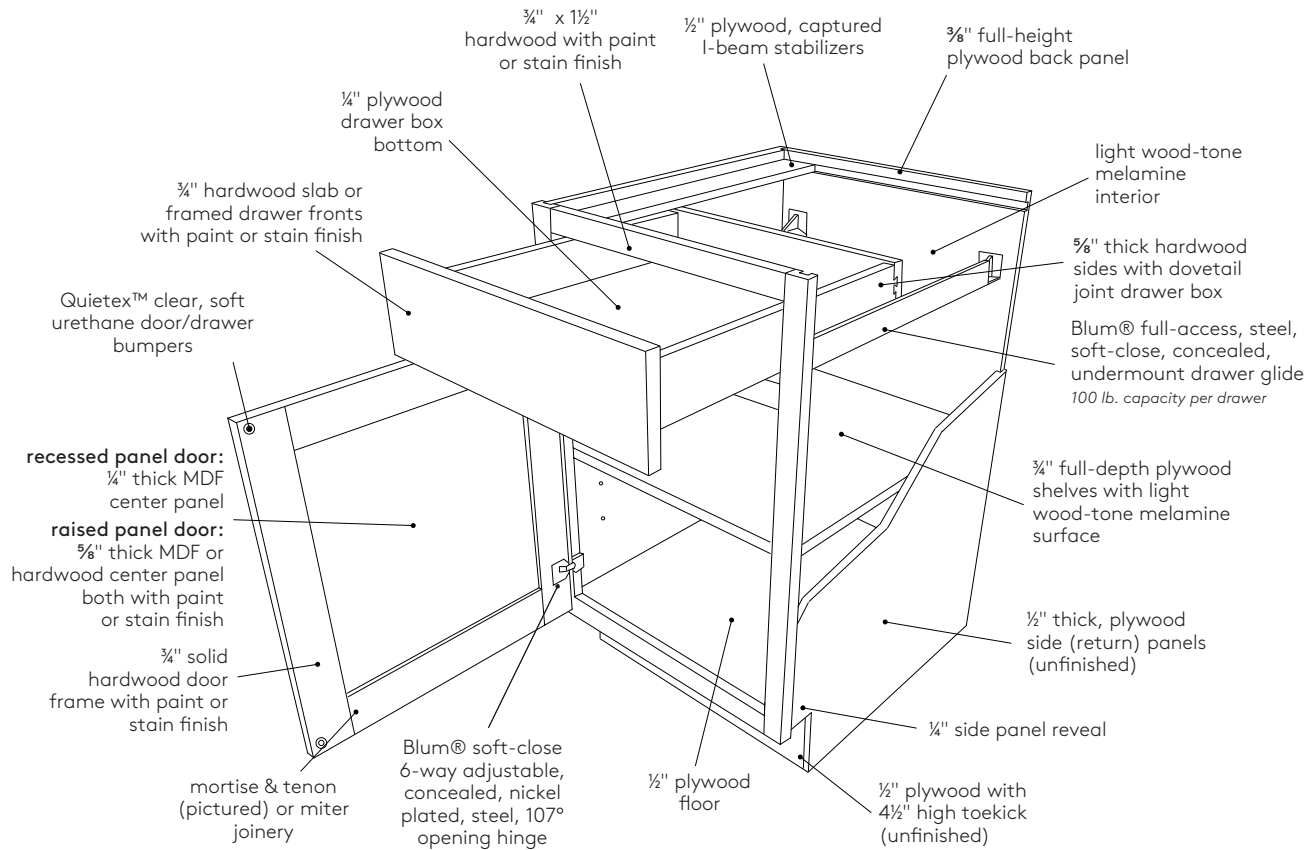
Signature & Signature Plus Line Features



CliqStudios' Signature and Signature Plus are our most popular and flexible options and are customizable to fit your home precisely.

Featuring the strongest cabinet box and dovetail, hardwood drawer box available, Signature Plus include the most popular cabinet sizes and options in both traditional full-overlay styles and Shaker inset style.

With 132 combinations of door styles and colors, Signature and Signature Plus' furniture-quality wood stains and enamel paints are hand-applied in a 10-step process and then a clear, durable top coat is baked on for a smooth, lustrous finish.



Designing a Beautiful and Functional Kitchen



A kitchen designer takes your ideas and inspiration and turns it into an executable plan that entails functionality, efficiency and safety. Your kitchen design plan tells you the exact location of each appliance, the color of each cabinet, and the dimensions of every surface.



Other Brands

Limited or No Design Assistance

Why risk the investment in the most important room in your home? Yes, there are tools available that claim you can 'do-it-yourself' and cabinet retailers that advertise kitchen design but why risk such an important project? You don't have to - CliqStudios® provides complimentary design.

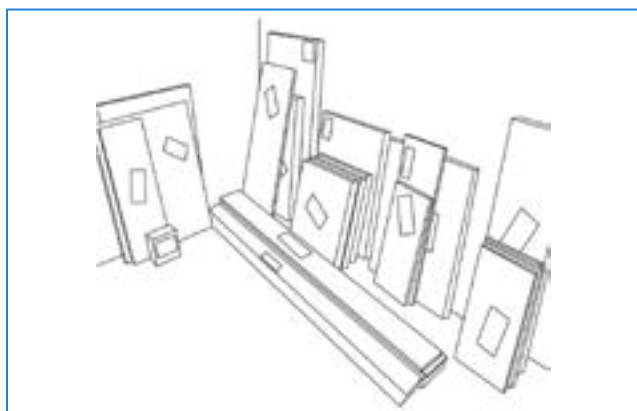


CliqStudios Classic, Signature and Signature Plus

Professional, Complete Design

Remodeling your kitchen can be one of the top five investments in your lifetime. A great kitchen remodel project is built on a solid foundation - a functional and beautiful kitchen design. You can be confident with CliqStudios® team of experienced designers who will stand by you every step of the way.

Fully Assembled and Ready-to-Install



Other Brands

Assemble It Yourself

RTA cabinets ship in parts, such as the cabinet, face frame, drawers, drawer glides, inserts, doors and hardware, and are designed to be assembled at the construction site. RTA cabinets are assembled using metal clips or plastic attachments, which tend to be less durable than wood construction. Whether assembly and installation are handled by the DIY homeowner, or by a hired contractor, some skill is required to ensure safe, functional cabinets.



CliqStudios Classic, Signature and Signature Plus

Fully Assembled and Ready-to-Install

Every aspect of the CliqStudios® cabinet design, from individual parts to the manufacturing process, has been engineered to create a single, factory-assembled cabinet unit. Each cabinet will arrive in one carton ready to be installed. No assembly required. Assembly of RTA cabinets with metal clips or plastic attachments simply doesn't offer the same strength as cabinets engineered and designed to be factory assembled, where wood parts are joined with wood parts. Factory construction methods join wood parts using dovetail joints, hot & cold glue, power fasteners and other industrial techniques. In this wood-to-wood construction, the pieces bond on a microscopic level that increases cabinet strength.



Fully-assembled cabinets are completely built at the factory, boxed, and shipped ready-to-install. Ready-to-assemble (RTA) cabinets are designed to be assembled by a homeowner or contractor. The differences to the consumer include price, convenience, and construction strength.

Assembly of RTA cabinets involves a learning curve, after which it takes about 20-45 minutes to assemble each cabinet, plus additional time for assembly of drawer boxes, glides, etc.

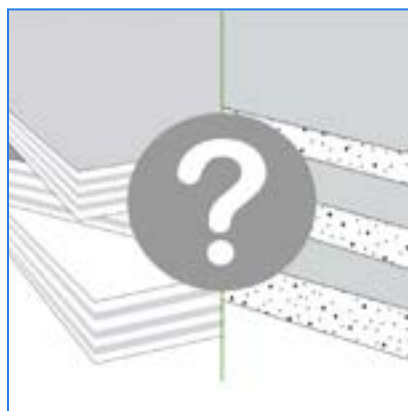
Quality Materials



CliqStudios® provides you the option of selecting an all-plywood, Grade K, box construction, with our Signature line, or M-2 rated furniture board with our Classic line.



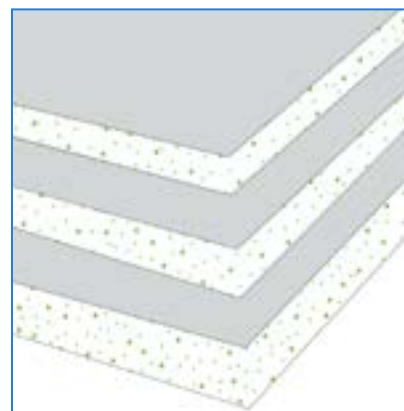
Because CliqStudios® materials have been tested and certified you will have the confidence that your new cabinets can stand up to everyday use and won't unnecessarily expand and flake when there's the occasional leaky faucet.



Other Brands

Varying Materials

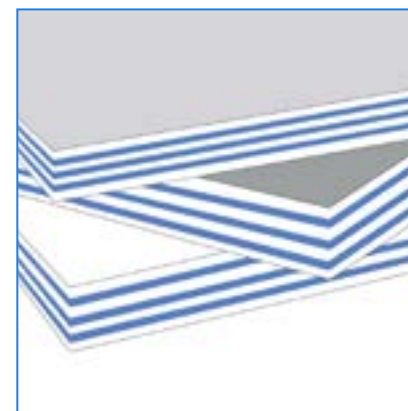
There are many retailers who cannot identify the specific material grade(s) of the cabinet material of the product they are selling.



CliqStudios Classic

Furniture Board

Certified & Tested. CliqStudios® Classic line cabinet box material is certified M-2 rated furniture board. Furniture board provides a strong, long-lasting box. It resists expansion from temperature and humidity fluctuations, which makes it a stable material.

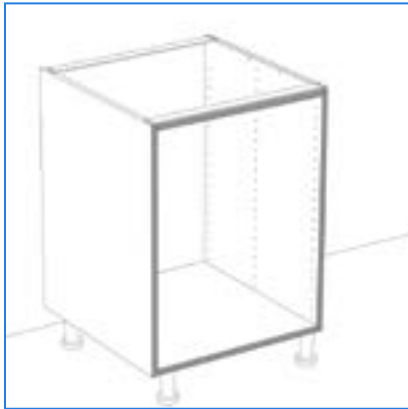


CliqStudios Signature and Signature Plus

Plywood

Our Signature and Signature Plus cabinets are built with strong and long-lasting, certified Grade K plywood sides and backs. Consumer Reports* recommends plywood as the premium quality option for cabinets. Plywood holds screws more securely and resists moisture better than alternative materials. It is resilient against blow-outs, dings, dents, and sagging, making it the best material for cabinet sides, backs, shelves, and drawer bottoms.

Strong, Long-Lasting Construction



Other Brands

Frameless

Frameless, also known as European-style, cabinets have no frame on the front of the cabinet box. Frameless cabinets are full overlay, revealing approximately 1/8-inch around drawer fronts and cabinet doors. Side panels are thicker than in a framed cabinet, allowing drawer glides and door hinges to be attached directly to the cabinet side walls.



CliqStudios Classic

Painted to Match Frame

CliqStudios® Classic cabinetry features frames that are painted to match the EverEdge™ finish.



CliqStudios Signature and Signature Plus

Solid Hardwood Frame

CliqStudios® Signature and Signature Plus cabinetry features painted or stained frames made with 3/4" by 1 1/2" solid hardwood. Solid hardwood is unique in its color, texture, and grain patterns, which include mineral streaks and knots. These natural variations add to hardwood's distinctive appeal and beauty. Hardwood is durable, resilient, and easy to repair.



Cabinet face frames provide stability, keeping the cabinet box square during shipping and installation.

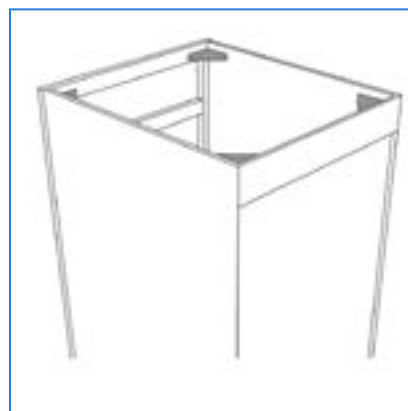
Professional cabinet installers often charge more to install frameless cabinets because installing frameless cabinets is more time-consuming.

Frameless cabinetry requires very precise installation because there are only 1/8" gaps between the doors of the cabinets. The install area (walls and floors) must also be perfectly level, plumb and square. This is especially important in areas where the floor and walls may be uneven.

Square Cabinet Boxes



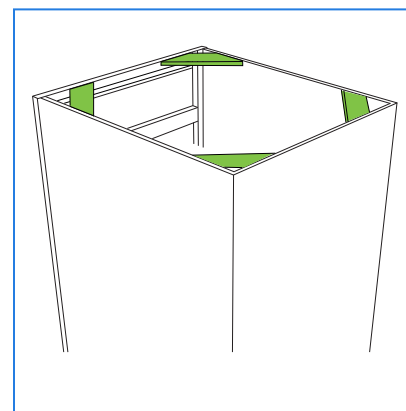
Captured and integrated brace construction creates a sturdier box, adding stability during shipping and installation and providing long-term cabinet strength. Unless integrated with the cabinet side, gussets add no strength or structural integrity to the cabinet. Captured (integrated) braces also make base cabinets much easier to move into position when installing.



Other Brands

Plastic Corner Gussets

Some cabinets brands use plastic triangular shaped corner gussets as a lower cost alternative to braces or I-beams. Gussets are usually stapled, glued or nailed to each corner of the cabinet to attempt to keep the cabinet square during shipping. But plastic gussets simply do not provide the same stability and strength of captured and integrated braces.



CliqStudios Classic

Furniture Board Braces

Captured and integrated furniture board braces are used in CliqStudios® Classic base cabinet construction. The braces are integrated with the box through a dado joint, nails and glue that connect to all four sides of a base cabinet. This integrated construction style provides much greater strength and stability especially when moving and installing cabinets.



CliqStudios Signature and Signature Plus

Integrated Plywood I-beams

CliqStudios® Signature and Signature Plus cabinets feature fully integrated I-beams. Like the braces used in Classic line, the I-beams are essential to creating a sturdier box, adding stability during shipping and installation and providing long-term cabinet strength. Integrated I-beams also make installation of base cabinets faster and easier. Wall cabinets, enclosed on top and bottom, do not need that support.

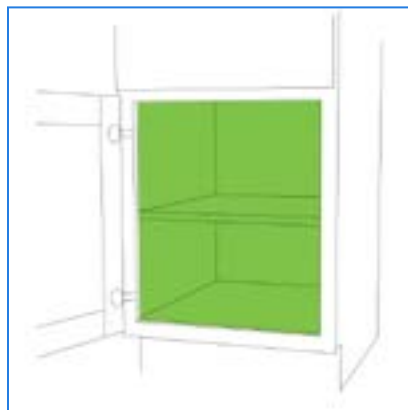
Easy-to-Clean Interiors



Other Brands

Wood Veneer Interior

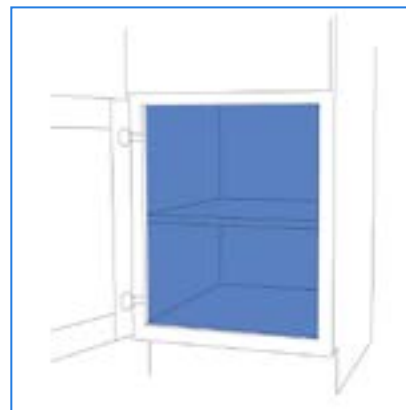
Wood is naturally porous and rough, and the finish will be subject to wear. A stained wood veneer interior or shelf surface will absorb moisture and stains and trap soil in the grain of the wood. The finish will not tolerate strong cleaning solutions. Wood veneer will become damaged by residual moisture, humidity, cooking fumes.



CliqStudios Classic

Laminate Interior

Laminate is a durable, easy-to-clean material that keeps your cabinet interior looking great through years of use. CliqStudios® uses a neutral, light, wood-toned laminate that brightens the cabinet interior.



CliqStudios Signature and Signature Plus

Melamine Interior

Melamine is durable, fire resistant, impervious to water, stain resistant, and can be safely cleaned with strong household solutions. As a shelf or cabinet lining, it wipes clean easily. CliqStudios® uses a neutral, light, wood-toned melamine that brightens the cabinet interior.



Kitchen cabinet interior surfaces should be non-porous, wipe-clean, and tough enough to last the life of the cabinets without staining, bubbling or showing wear.

Melamine and laminate are two different, yet similar materials. They are the perfect surface for cabinet interiors because of their extremely high resistance to moisture. Most melamine and laminate cabinet interiors are printed with a light-tone wood grain.

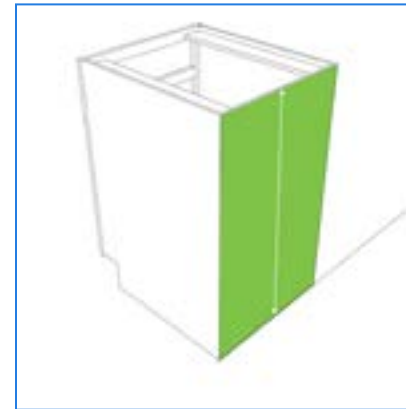
Durable Back Panel



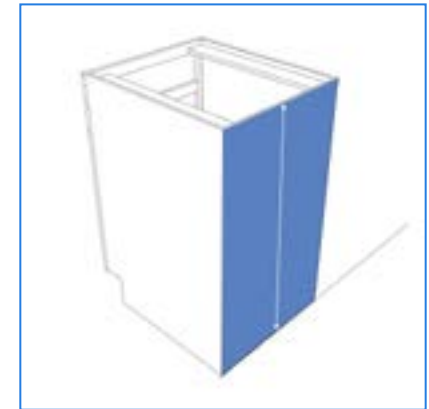
Cabinet back construction affects strength and ease of installation. The strongest cabinet construction uses a heavy (3/8-inch or more), full-plywood, full-back panel. Less expensive methods use thin panels, metal hang rails and brackets, rails, and picture-frame construction.



Other Brands



CliqStudios Classic



CliqStudios Signature and Signature Plus

A full-back panel allows the cabinet to be directly attached to the studs of the wall at any point on the cabinet back. If installation requires the cabinet be cut around ductwork, plumbing or electrical conduit, the modification will be simpler on the full back.

Alternate Cabinet Back

Metal, rails, hang rails and picture-frame back panels use 1/2-inch or 3/4-inch hangers at the top and bottom of the cabinet and either omit the back panel entirely or incorporate a thin 1/8-inch to 1/4-inch panel. If a rail needs to be cut to accommodate wiring or plumbing, additional reinforcement will be necessary.

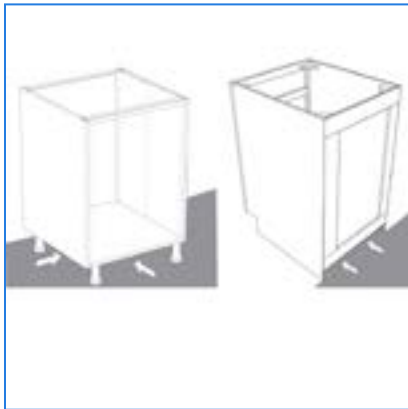
Furniture Board Full Back

CliqStudios® Classic cabinets use a full-height, durable 3/8" furniture board panel. This panel provides all the benefits of a full-height back at a very affordable price. Full-height back panels provide superior strength and flexibility to alternate cabinet back materials while eliminating the need for hanging rails.

Plywood Full Back

The back panel of a CliqStudios® Signature and Signature Plus cabinet is a full-height, durable 3/8" panel that is secured with hot glue, nails and a rabbet joint. Extending the panel from the top of the cabinet to the bottom eliminates gaps or spaces and provides additional strength.

Finished, Strong Toekick



Other Brands

Open Toekick

Some RTA cabinets are supported by four plastic adjustable feet (stainless steel may be available for an upcharge). The open space under the cabinet requires a toekick cover, which snaps on the legs to enclose the area. Plywood or particleboard cabinets supported on two sides with open fronts require a wooden toekick panel be constructed and installed.



CliqStudios Classic

Furniture Board Toekick

CliqStudios® Classic cabinet box reaches all the way to the floor at both the toekick and the full-height back panel. This encloses the entire space under your cabinets and ensures that the strongest part of the box is supporting the weight of the cabinet, contents and countertop. A decorative panel applied post-construction provides a finished look.



CliqStudios Signature and Signature Plus

Plywood Toekick

The full-box cabinet with a solid, full-length plywood back panel and plywood cabinet sides forms a natural toekick panel. If the cabinet is constructed with fully-captured dado joints, hot glue and other top construction methods, this is the strongest base for heavy countertops and ease of installation. A decorative panel applied post-construction provides a finished look.



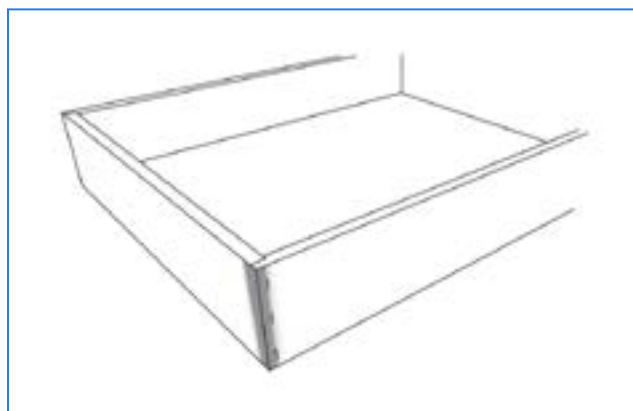
The 'toekick' area is located where the cabinet meets the floor and provides space for your feet when standing at the counter. A toekick should be fully enclosed and captured with dado joints, glue and nails with a solid, and integrated into the full-length, back panel and cabinet sides providing additional strength. After installation, a finished toekick panel is applied for a neat, trim look.

Cabinets supported by plastic legs are not as strong or stable as full-box cabinets. Since the front of the toekick area is open, a toekick panel is necessary to prevent dirt and small items from being trapped under the cabinet.

Drawer Box Construction



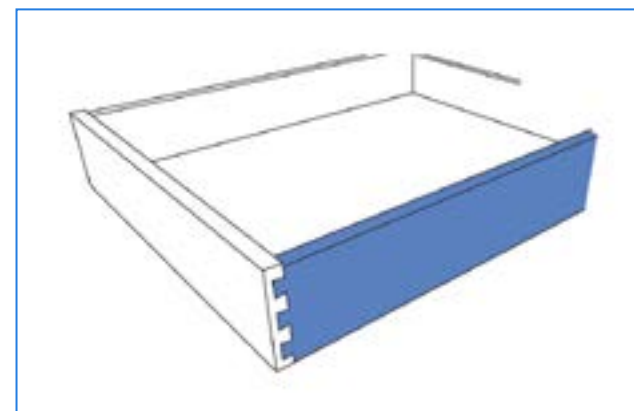
CliqStudios® knows the bottom of the drawer must support the weight of the drawer contents, so we choose to use solid hardwood sides with a fully captured bottom. Hardwood drawer boxes with dovetail joints have become the standard for American cabinetry because of the long-lasting strength, durability and beauty of the dovetail joint.



Other Brands

Stapled Particleboard Drawer Box

A wide range of materials and construction methods are used for cabinet drawers. Particleboard, plywood, metal and plastic are common materials. Construction methods vary greatly. Lesser quality drawer boxes use staples and butt corner joints to hold the drawer box sides together and may have particleboard drawer bottoms.



CliqStudios Classic, Signature and Signature Plus

Solid Hardwood Dovetailed Drawer Box

CliqStudios® drawer boxes are made from solid hardwood with dovetail joints. A dovetail joint has teeth that interlock to join two pieces of wood. A high-quality hardwood drawer box will have sides of 5/8-inch or thicker solid maple or birch. The sides, milled to include interlocking teeth, meet at dovetail joints, where the strength of the joint comes from the wood itself. A strong plywood drawer bottom, fully captured on four sides in dado (grooved) joints, is glued and nailed in place.

Smooth, Soft-Close Drawer Guides



Other Brands

Side-Mount Epoxy Coated Guides

Other brands use many types of drawer glides including the common epoxy-coated metal with nylon rollers. Center-mount and side-mount glides rarely provide full access; instead, about 25 percent of the drawer remains inside the cabinet, making it difficult to reach the back of the drawer. Side-mount glides never have a soft-close mechanism.



CliqStudios Classic

Full-Access, Soft-Close Steel Undermount Guides

CliqStudios® Classic cabinets feature full-access, soft-close steel undermount guides rated to support 75 lbs capacity. The glide uses a dampening system that is almost silent when opening and closing your drawer.



CliqStudios Signature and Signature Plus

Blum® Full-Access, Soft-Close Steel Undermount Guides

CliqStudios® Signature and Signature Plus cabinets feature Blum® brand full-access, soft-close steel undermount guides. The ball-bearing glide is concealed beneath the drawer box supporting up to 100 lbs. The glide uses a dampening system that is almost silent when opening and closing your drawer.



KCMA Certification assures you that the CliqStudios® guides have been tested to withstand 15 pounds per square foot of drawer space and operated through 25,000 open and close cycles. CliqStudios® provides a limited lifetime warranty on drawer glides for Classic, Signature and Signature Plus.*

Certifications



At CliqStudios®, we are committed to manufacturing cabinets of the highest quality, that will provide years of service in a healthy environment.



KCMA Certified

Kitchen Cabinet Manufacturers Association [KCMA] certifies CliqStudios® as meeting the rigorous KCMA standards for kitchen and bath cabinet quality. Cabinets bearing the ANSI/KCMA A161.1 Quality Certification Seal have been extensively tested with over a dozen different processes according to rigorous standards developed, and periodically revised, by a committee operating under rules set by the American National Standards Institute (ANSI) and developed by the Kitchen Cabinet Manufacturers Association (KCMA). Learn more at cliqstudios.com/cabinetry-certifications/



CARB2 and TSCA Title VI

All CliqStudios® cabinets are certified compliant with the California Air Resources Board [CARB] and the Environmental Protection Agency {EPA} TSCA Title VI regulations. Compliance ensures that the product's formaldehyde levels are well within the safety limits. The regulation governs the formaldehyde in both raw composite wood panels and finished products sold or used in the United States. Both imported and domestic products are regulated, and must be third-party certified and clearly labeled to indicate they meet these requirements.



CliqStudios Classic

5-Year limited warranty

Cliqstudios® warrants to the original purchaser, for residential applications only, that all cabinets and accessories, hinges and all drawers, including system hardware, are free from defects in materials and workmanship. This warranty is a limited Five Year warranty on Cabinets and Lifetime Limited Warranty on Drawer Guides and Hinges and begins upon the date of delivery to you.



CliqStudios Signature
and Signature Plus

Lifetime limited warranty

Cliqstudios® warrants to the original purchaser, for residential applications only, that all cabinets and accessories, hinges and all drawers, including system hardware, are free from defects in materials and workmanship. This warranty runs for as long as you own your home and begins upon the date of delivery to you.



A cabinet manufacturer may offer a lifetime limited warranty, a shorter warranty, or no warranty at all.

By far kitchen cabinets are one of the most expensive items you will ever buy for your home and should serve you for at least 20 years. Poor quality cabinetry may begin to break down after a few years.

A warranty assures the consumer the manufacturer will stand behind the product, and implies quality.

CLIQSTUDIOS®



888-350-1242

cliqstudios.com

