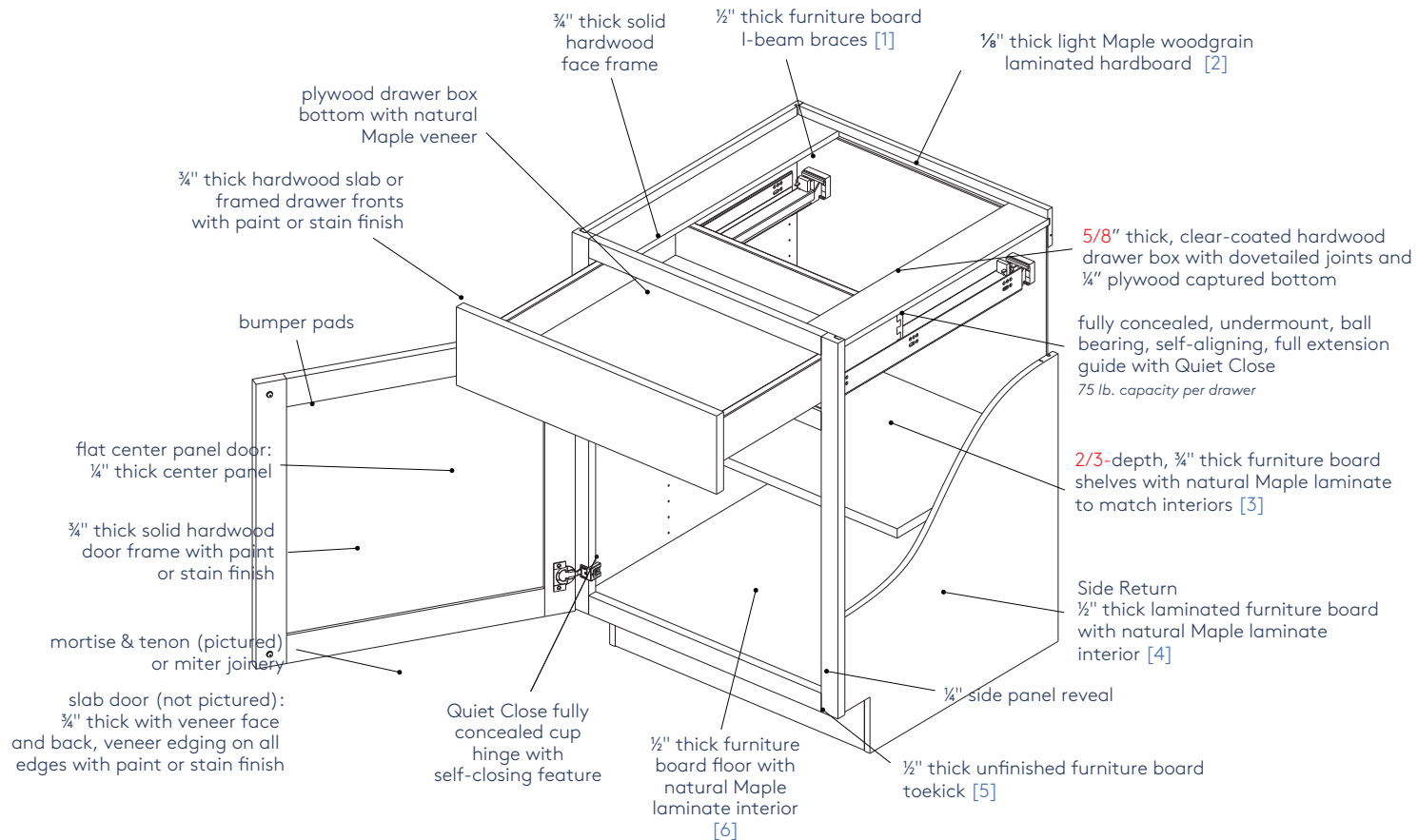


Craftsman Silverline Box Construction

Standard cabinet box construction features furniture board, with an optional all-plywood construction upgrade, noted in **light blue**.



Optional all-plywood construction upgrade includes:

1. 3/8" plywood I-beam braces
2. 3/8" plywood back panel with natural Maple laminate interior
3. 3/4" plywood shelves with natural Maple laminate to match interiors
4. 1/2" unfinished veneer plywood with natural Maple laminate interior
5. 3/8" unfinished plywood toekick
6. 3/8" plywood floor with natural Maple laminate interior

